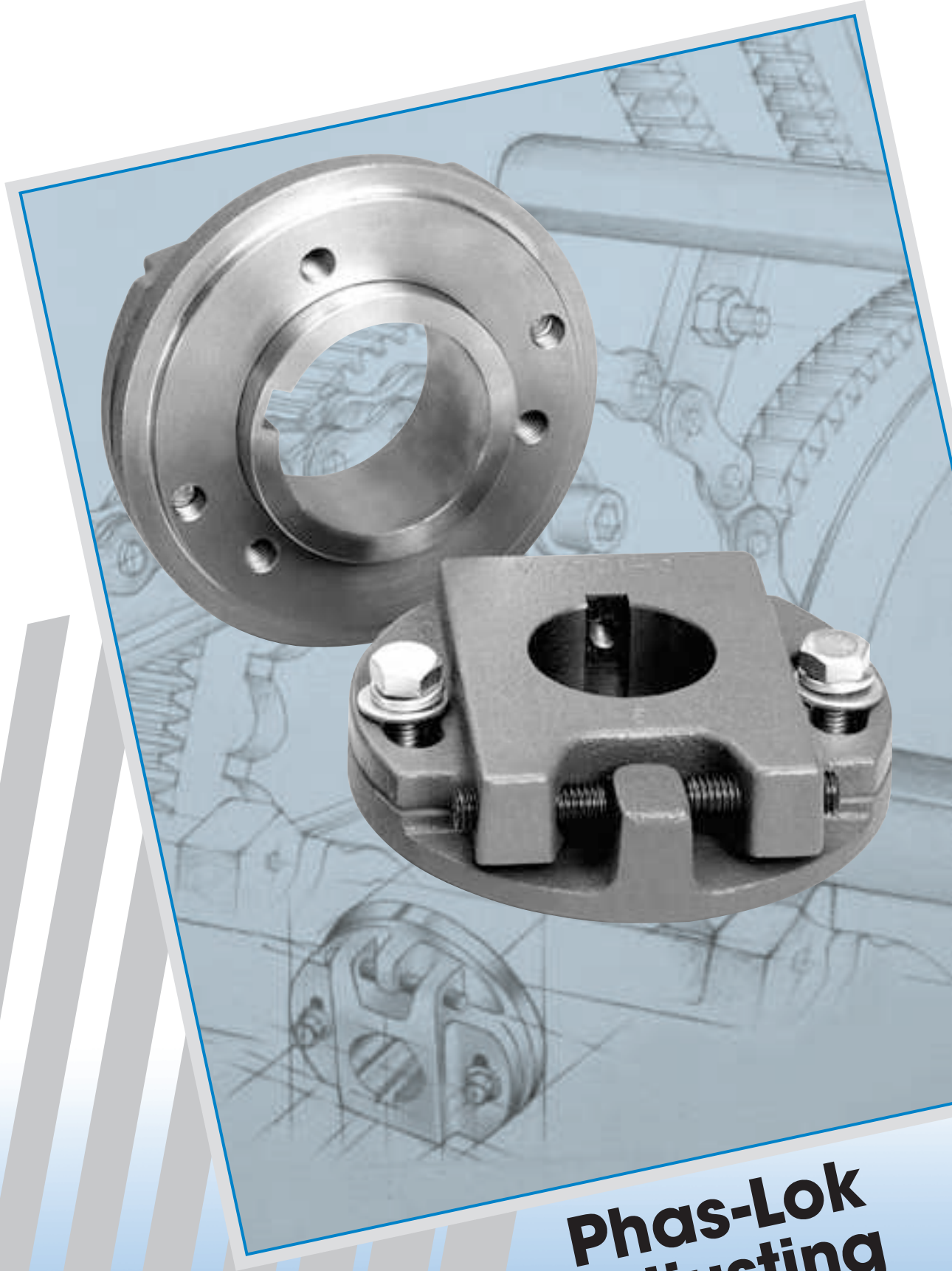


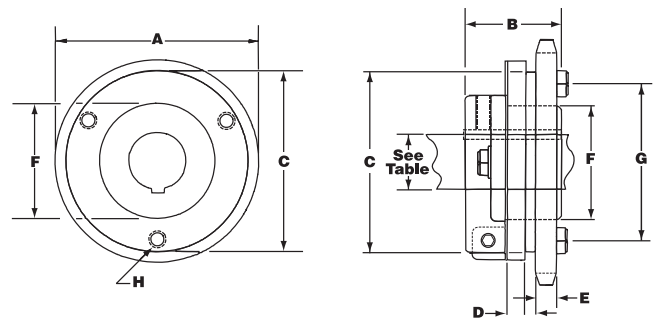
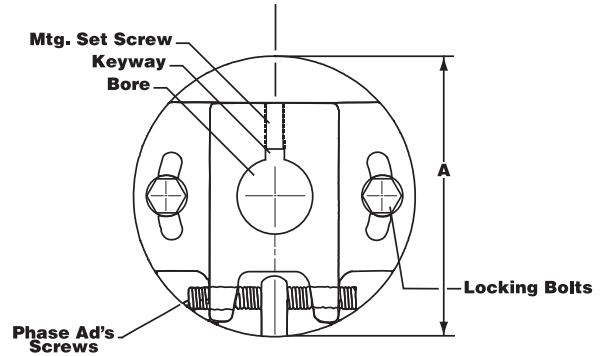
/// /// /// /// /// ZERO-MAX[®]



**Phas-Lok
Adjusting
Hubs**

INDUSTRIAL MAGZA[®] MEX (55) 53 63 23 31 MTY (81) 83 54 10 18
DIST. AUTORIZADO QRO (442) 1 95 72 60 ventas@industrialmagza.com

Phas-Lok Adjusting Hubs Provide Easy and Accurate Phase Adjustment



The Phas-Lok Adjusting Hub is an economical, yet precision device, that provides an easy change to the phase relationship of equipment operation. Whether compensating for required timing changes or adjusting for chain or tooth wear, the Phas-Lok provides an accurate, mechanical adjustment within the 12 degree range.

The Phas-Lok eliminates the need to disconnect or remove drive components in order to reposition or to synchronize these components.

Additionally the Phas-Lok provides a reliable position control which does not work loose or slip during equipment start up and shut down. Adjustments are done quickly and accurately with simple hand tools.

Standard Sizes Fit Most Applications

Available in 3 sizes, with bores ranging from 1/2 inch to 2-1/2 inches. Metric bores as well as taper bores for a variety of split taper bushings are also available.

For more information, Call Zero-Max Toll Free 1-800-533-1731.

Magza Industrial
 MEX (55) 53 63 23 31 MTY (81) 83 54 10 18
 QRO (442) 1 95 72 60 ventas@industrialmagza.com
 DIST. AUTORIZADO

Standard Bores and Keyways

Series A		Series B		Series C	
Bore	Keyway	Bore	Keyway	Bore	Keyway
1/2	1/8 X 1/16	1	1/4 X 1/8	1 1/2	3/8 X 3/16
5/8	3/16 X 3/32	1 1/8	1/4 X 1/8	1 5/8	3/8 X 3/16
3/4	3/16 X 3/32	1 1/4	1/4 X 1/8	1 3/4	3/8 X 3/16
7/8	3/16 X 3/32	1 3/8	5/16 X 5/32	1 7/8	1/2 X 1/4
		1 1/2	3/8 X 3/16	2	1/2 X 1/4
				2 1/4	1/2 X 1/4
				2 3/8	5/8 X 5/16
				2 1/2	5/8 X 5/16

AX Bore for Browning G Bushing
BX Bore for Browning H Bushing
CX Bore for Browning Q1 Bushing

Physical Dimensions

	A	B	C	D	E	F	G	H
Series A	2 7/8	1 1/2	2 1/16	3/16	5/16	1 1/4	2 7/8 Dia. B/C	(3) 1/4-20 x 1/2
Series B	3 3/4	1 23/32	3 3/16	3/16	1/2	2 1/8	2 7/8 Dia. B/C	(3) 3/8-16 x 1/2
Series C	6 1/4	2 1/4	5 5/8	1/4	1/2	3 1/2	4 3/8 Dia. B/C	(3) 1/2-13 x 3/4

Minimum Sprocket Size (# Teeth)

Chain	25	35	41	40	50	60	80	100	120
Series A	35	25	19	20	16	14	12	10	9
Series B	52	32	24	24	21	18	14	12	11
Series C	84	54	39	40	32	27	25	20	18

ZERO-MAX

13200 Sixth Avenue North, Plymouth, Minnesota 55441-5509
 800-533-1731 • (763) 546-4300 • Fax (763) 546-8260 • www.zero-max.com