

PRODUCT INFORMATION



MEX (55) 53 63 23 31 MTY (81) 83 54 10 18
QRO (442) 1 95 72 60 ventas@industrialmagza.com



INSPIRED BY
EFFICIENCY



INTERROLL INTELLIVEYOR

ZERO PRESSURE ACCUMULATION
ROLLER CONVEYOR FROM THE ORIGINATOR OF
THE 24VDC ROLLERDRIVE

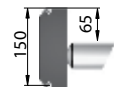
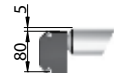


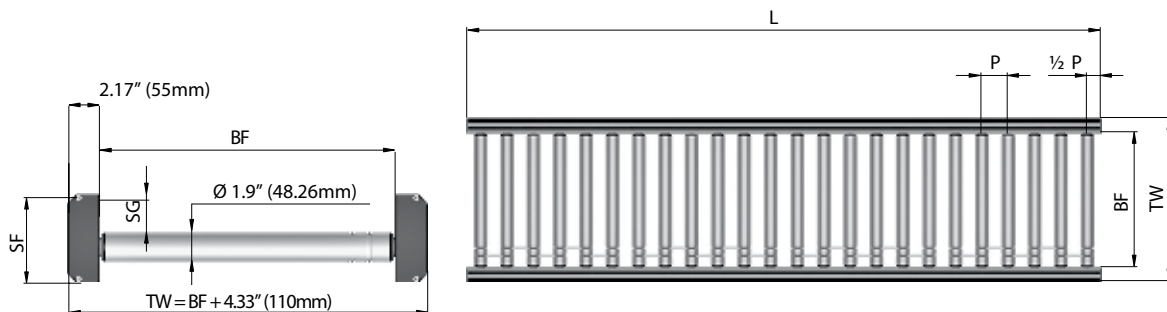
INTERROLL INTELLIVEYOR RM 5504



MEX (55) 53 63 23 31 MTY (81) 83 54 10 18
QRO (442) 1 95 72 60 ventas@industrialmagza.com

Technical Data

	O-ring	PolyVee belt
General technical data		
Max. load capacity per zone	110 lb (50 kg)	175 lb (80 kg)
Max. electrical power per zone	50 watts	
Conveyor speed	20 to 250 ft/min (0.1 to 1.2 m/s)	
Incline/decline	Not suitable	
Ambient temperature	+40 to +105 °F (+5 to +40 °C)	
Roller		
Roller type	Interroll Series 1700	Interroll Series 3500
Roller diameter	1.9"	
Roller material	Galvanized carbon steel	
Max. number of rollers per zone	11	20
Drive		
Rated voltage	24VDC	
Drive medium	3/16" O-ring	PolyVee belt
Torque transmission	Roller-to-roller	
Side frame		
6" (150mm) extrusion	6" (150mm) high, 2.6" (65mm) above top of roller	
3.15" (80mm) extrusion	Allows lateral shifting 3.15" (80mm) high, 0.16" (5mm) below top of roller	
Combination of frame heights left/right	6"/6" (150mm/150mm) 3.15"/6" (80mm/150mm) 6"/3.15" (150mm/80mm)	



Dimensions

Width (BF)	12" to 40" in 2" increments (310mm to 1,010mm in 50mm increments)
Module length (L)	ZL x number of zones
Zone length (ZL)	Number of rollers x P
Module width (TW)	BF + 4.33" (110mm)
Roller pitch (P)	2"/2.25"/3"/4"/5" (50mm/55mm/75mm/100mm/125mm)
Side frame (SF)	3.15"/6" (80mm/150mm)
Side guide (SG)	2.6" (65mm) with 6" frame Rollers .16" (5mm) higher than frame with 3.15" (80mm) frame

The internal control of the roller conveyor ensures transport of unit loads with zero pressure accumulation. Each zone is driven by a RollerDrive that is connected to idler rollers via O-ring or PolyVee belts.

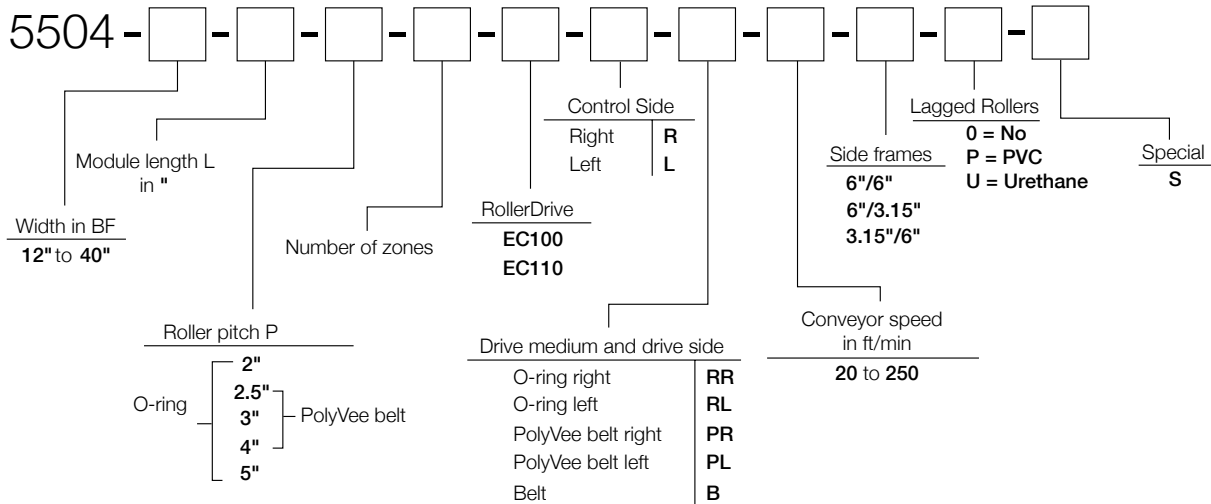


How to order

INDUSTRIAL MAGZA MEX (55) 53 63 23 31 MTY (81) 83 54 10 18
 DIST. AUTORIZADO QRO (442) 1 95 72 60 ventas@industrialmagza.com

**Roller Conveyors
 Intelliveyor
 RM 5504
 Straight**

Please create a reference number with the following configurator.



If you require a non-standard version, add an "S" to the end and describe your requirements.

The Interroll Intelliveyor RM 5504 is also available with skewed rollers to align material along one side of the conveyor.

Example of a reference number: 5504-20-80-4-4-EC110-R-RL-40-6/6

This reference number describes the Interroll Intelliveyor RM 5504 with a clearance LW 20" (510mm), a module length (L) of 80" (2000mm), a roller pitch P 4" (100mm), 4 zones, a RollerDrive EC110, the controls mounted on the right, a O-ring as drive medium on the left, a conveyor speed of 40 ft/min (0.2 m/s), and side frames with dimensions of 6"/6" (150mm/150mm).

Accessories

- Support legs
- End caps
- 24V power supply unit
- End stops
- Interface card
- PLC connection cable
- Photo cell kit
- Transition plates



Also available as a belt over roller conveyor

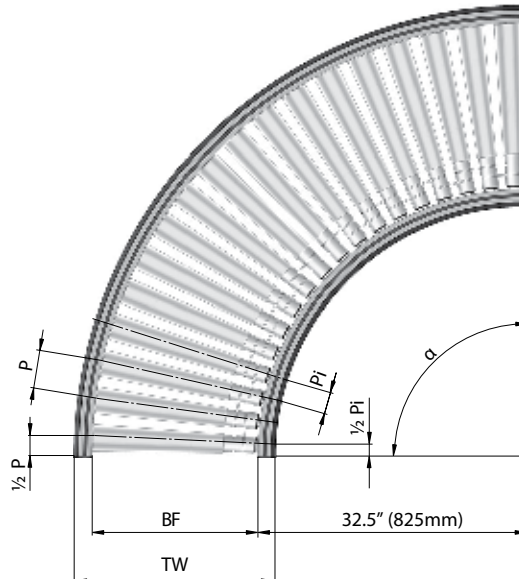
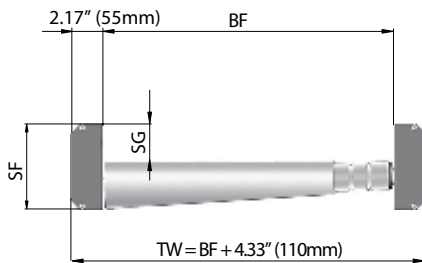
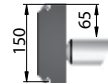


MEX (55) 53 63 23 31 MTY (81) 83 54 10 18
 QRO (442) 1 95 72 60 ventas@industrialmagza.com

INTERROLL INTELLIVEYOR CURVE RM 5530

Technical Data

	O-ring	PolyVee belt
General technical data		
Max. load capacity per zone	110 lb (50 kg)	175 lb (80 kg)
Conveyor speed	20 to 250 ft/min (0.1 to 1.2 m/s)	
Incline/decline	Not suitable	
Ambient temperature	+40 to +105 °F (+5 to +40 °C)	
Roller		
Roller type	Interroll Series 1700KXO	Interroll Series 3500KXO
Roller diameter	1.9"	
Roller material	Galvanized carbon steel with tapered polymer sleeves	
Max. number of rollers per zone	9	
Drive		
Rated voltage	24 VDC	
Max. electrical power per zone	50 watts	
Drive medium	3/16" O-ring	PolyVee belt
Torque transmission	Roller-to-roller	
Side frame		
6" (150mm) extrusion	6" (150mm) high, 2.6" (65mm) above top of roller	
Combination of frame heights left/right	6"/6" (150mm/150mm)	



Dimensions

Width (BF)	12" to 40" in 2" increments (310mm to 1,010mm in 50mm increments)
Module width (TW)	BF + 4.33" (110mm)
Angle (α)	30°/45°/60°/90°
Roller pitch, external (P)	~0.003" (~0.087mm) x BF + Pi
Roller pitch, internal (Pi)	~2.83" (~72mm)
Side frame (SF)	6" (150mm)
Side guide (SG)	2.6" (65mm)

Roller curves change the direction of the load. The alignment of the material is maintained using tapered rollers.

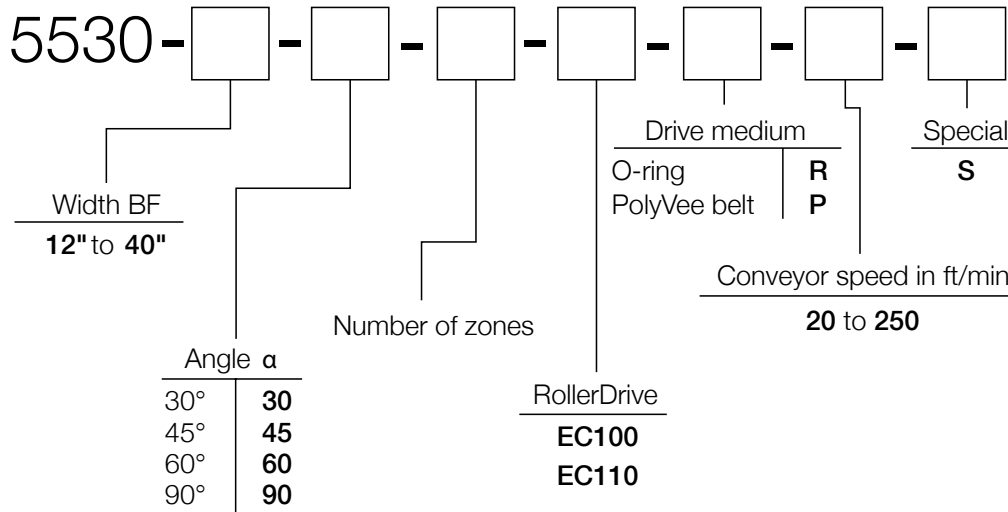


How to order

INDUSTRIAL MAGZA MEX (55) 53 63 23 31 MTY (81) 83 54 10 18
 DIST. AUTORIZADO QRO (442) 1 95 72 60 ventas@industrialmagza.com

**Roller Conveyors
 Intelliveyor
 RM 5530
 Curve**

Please create a reference number with the following configurator.



If you require a non-standard version, add an "S" to the end and describe your requirements.

Example of a reference number: 5530-20-90-2-EC110-R-40

This reference number describes the Interroll Intelliveyor Curve RM 5530 with a width BF of 20" (510mm), an angle α 90°, two zones, the RollerDrive EC110, a O-ring as drive medium and a conveyor speed of 40 ft/min (0.2 m/s).

Accessories

- Support legs
- End caps
- 24V power supply unit
- Transition plates
- Interface card
- PLC connection cable
- Photo cell kit



Also available as a belt over roller curve

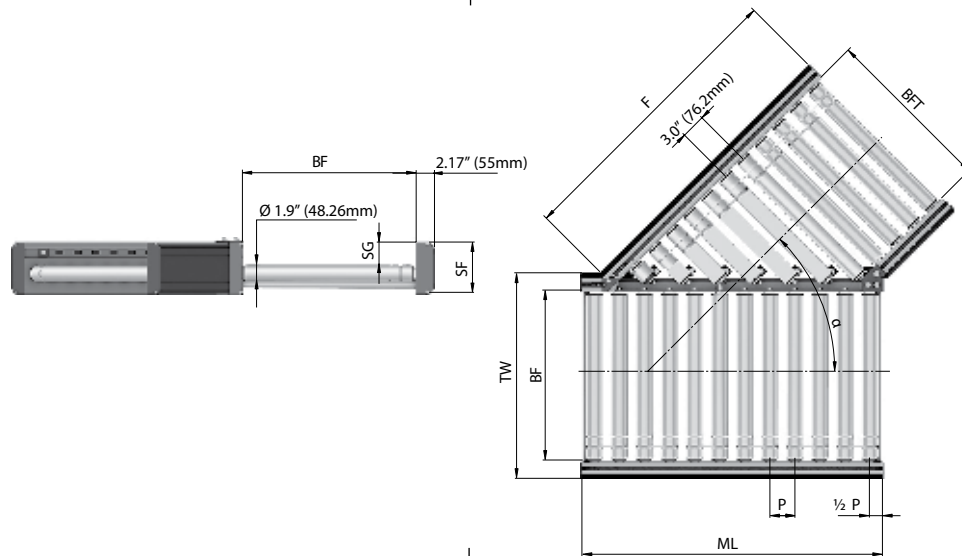
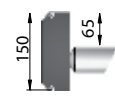


MEX (55) 53 63 23 31 MTY (81) 83 54 10 18
 QRO (442) 1 95 72 60 ventas@industrialmagza.com

INTERROLL INTELLIVEYOR MERGE RM 5550

Technical Data

	O-ring	PolyVee belt
General technical data		
Max. load capacity per zone	110 lb (50 kg)	175 lb (80 kg)
Conveyor speed	20 to 250 ft/min (0.1 to 1.2 m/s)	
Incline/decline	Not suitable	
Ambient temperature	+40 to +105 °F (+5 to +40 °C)	
Roller		
Roller type	Interroll Series 1700	Interroll Series 3500
Roller diameter	1.9"	
Roller material	Galvanized carbon steel	
Drive		
Rated voltage	24 VDC	
Max. electrical power per zone	50 watts	
Drive medium	3/16" O-ring	PolyVee belt
Torque transmission	Roller-to-roller	
Side frame		
6" (150mm) extrusion	6" (150mm) high, 2.6" (65mm) above top of roller	
Combination of frame heights left/right	6"/6" (150mm/150mm)	



Dimensions	
Width (BF)	12" to 40" in 2" increments (310mm to 1,010mm in 50mm increments)
Width transfer (BFT)	12" to 40" in 2" increments (310mm to 1,010mm in 50mm increments)
Max. module length (ML)	60" (1,510mm)
Module width (TW)	BF + 4.33" (110mm)
Face length (F)	Varies depending on application
Angle (α)	30°/45°
Roller pitch, external (P)	3"/4" (75mm/100mm)
Side frame (SF)	6" (150mm)
Side guide (SG)	2.6" (65mm)

The Intelliveyor Merge is used to merge two conveyor lines together.

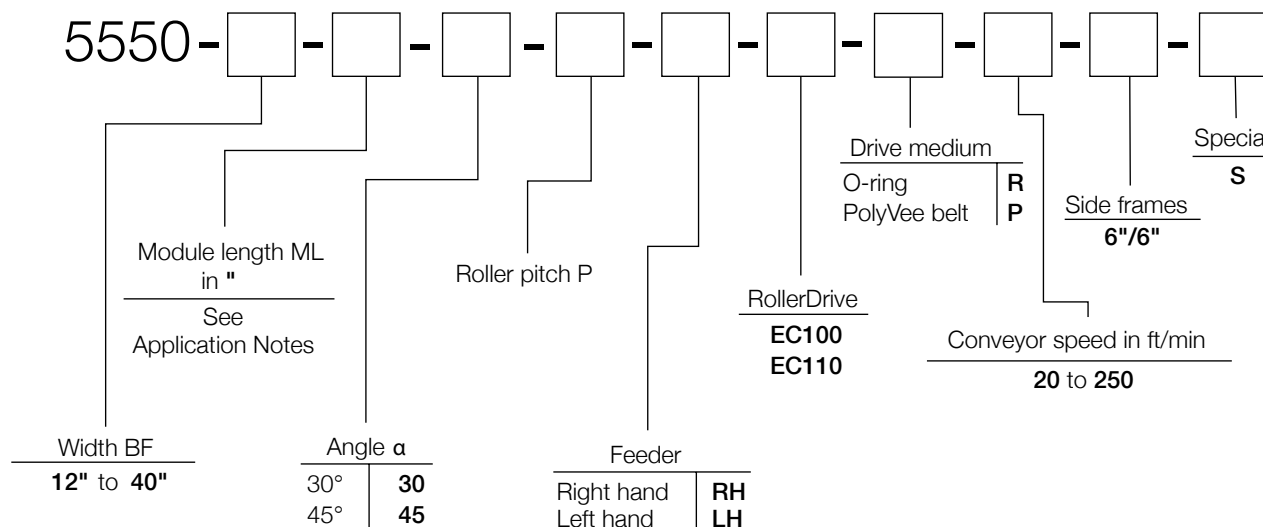


How to order

INDUSTRIAL MAGZA MEX (55) 53 63 23 31 MTY (81) 83 54 10 18
 DIST. AUTORIZADO QRO (442) 1 95 72 60 ventas@industrialmagza.com

Please create a reference n

**Roller Conveyors
 Intelliveyor
 RM 5550
 Merge**



If you require a non-standard version, add an "S" to the end and describe your requirements.

Example of a reference number: 5550-20-50-45-4-RH-EC110-R-40-6/6

This reference number describes the Interroll Intelliveyor Merge RM 5550 with a width BF 20" (510mm), a module length ML 50" (1200mm), an angle α 45°, a roller pitch P 4" (100mm), a right hand merge, a RollerDrive EC110, a O-ring as drive medium and a conveyor speed of 40 ft/min (0.2 m/s) and side frames with dimensions of 6"/6" (150mm/150mm).

Accessories

- Support legs
- End caps
- 24V power supply unit
- Interface card
- PLC connection cable
- Photo cell kit

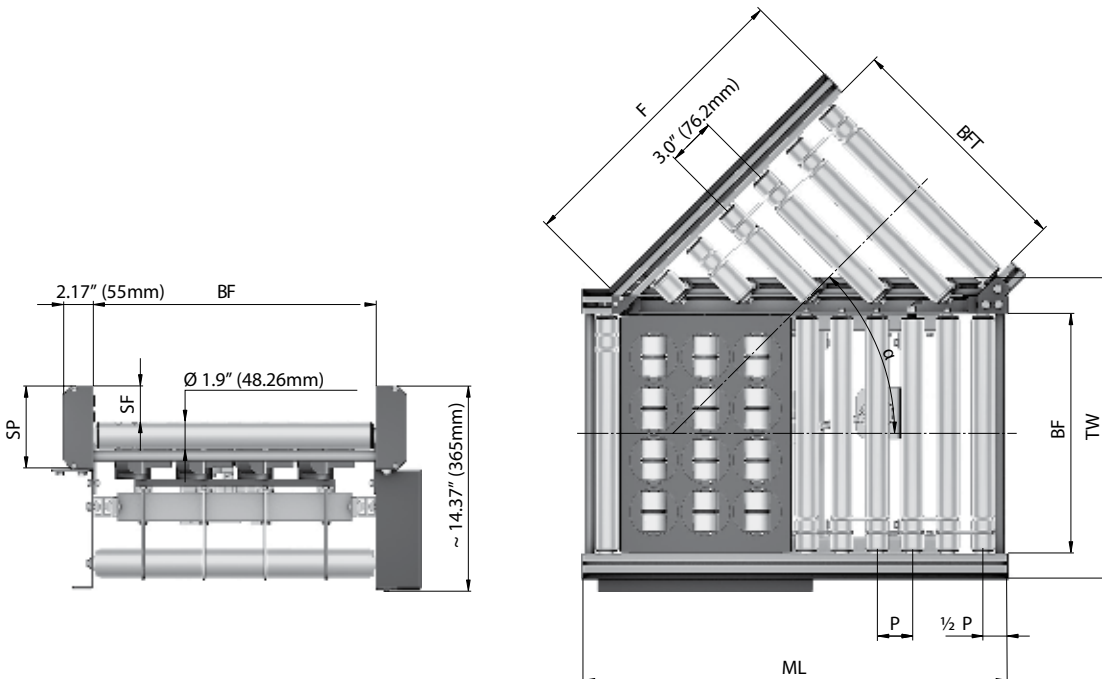
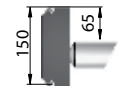


MEX (55) 53 63 23 31 MTY (81) 83 54 10 18
 QRO (442) 1 95 72 60 ventas@industrialmagza.com

INTERROLL INTELLIVEYOR VERTER RM 5545

Technical Data

	O-ring	PolyVee belt
General technical data		
Max. electrical power per zone	50 watts	
Conveyor speed	20 to 250 ft/min (0.1 to 1.2 m/s)	
Incline/decline	Not suitable	
Ambient temperature	+40 to +105 °F (+5 to +40 °C)	
Roller		
Roller type	Interroll Series 1700	Interroll Series 3500
Roller diameter	1.9"	
Roller material	Galvanized carbon steel	
Drive		
Rated voltage	24 VDC	
Drive medium	3/16" O-ring	PolyVee belt
Torque transmission	Roller-to-roller	
Drive, transfer		
Motors	24 VDC roller drives	
Max. electrical power	50 watts	
Power transmission	3/16" O-ring	
Side frame		
6" (150mm) extrusion	6" (150mm) high, 2.6" (65mm) above top of roller	
Combination of frame heights left/right	6"/6" (150mm/150mm)	



The Intelliveyor Diverter RM 5545 diverts material that should maintain its direction of travel using pivoting rollers. This allows continuous and uninterrupted material flow.



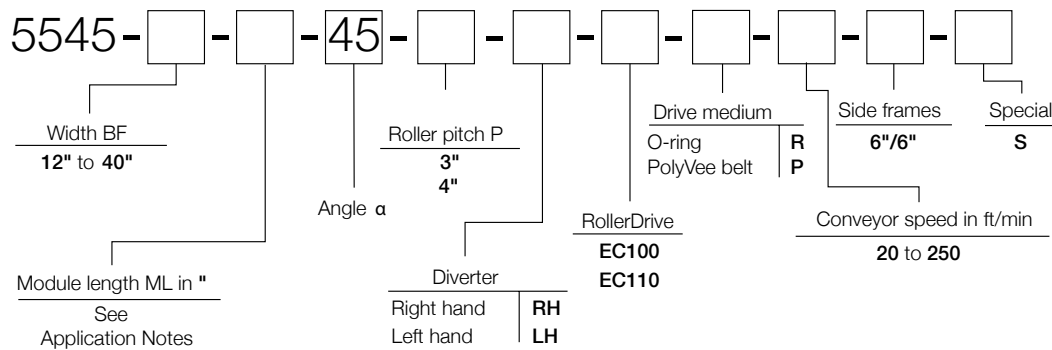
INDUSTRIAL MAGZA MEX (55) 53 63 23 31 MTY (81) 83 54 10 18
 DIST. AUTORIZADO QRO (442) 1 95 72 60 ventas@industrialmagza.com

**Roller Conveyors
 Intelliveyor
 RM 5545
 Diverter**

Dimensions	
Width (BF)	12" to 40" in 2" increments <i>(310mm to 1,010mm in 50mm increments)</i>
Width (BFT)	12" to 40" in 2" increments <i>(310mm to 1,010mm in 50mm increments)</i>
Max. module length (ML)	60" <i>(1,510mm)</i>
Module width (TW)	BF + 4.33" <i>(110mm)</i>
Face length (F)	Varies depending on application
α Angle	45°
Roller pitch, external (P)	3"/4" <i>(75mm/100mm)</i>
Side frame (SF)	6" <i>(150mm)</i>
Side guide (SG)	2.6" <i>(65mm)</i>

How to order

Please create a reference number with the following configurator.



Example of a reference number: 5545-20-50-45-3-RH-EC110-R-60-6/6

This reference number describes the Interroll Intelliveyor Diverter RM 5545 with a width BF 20" (510mm), a module length ML 50" (1200mm), an angle α 45°, a roller pitch P 3" (75mm) a right hand diverter, a RollerDrive EC110, a O-ring as drive medium and a conveyor speed of 60 ft/min (0.3 m/s) and side frames with dimensions of 6"/6" (150mm/150mm).

Accessories

- Support legs
- End caps
- 24V power supply unit
- Interface card
- PLC connection cable
- Photo cell kit

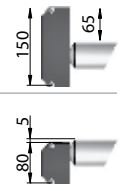


MEX (55) 53 63 23 31 MTY (81) 83 54 10 18
 QRO (442) 1 95 72 60 ventas@industrialmagza.com

INTERROLL INTELLIVEYOR ANSFER RM 5591

Technical Data

	O-ring	PolyVee belt
General technical data		
Max. electrical power per zone	50 watts	
Conveyor speed	20 to 250 ft/min (0.1 to 1.2 m/s)	
Incline/decline	Not suitable	
Ambient temperature	+40 to +105 °F (+5 to +40 °C)	
Roller		
Roller type	Interroll Series 1700	Interroll Series 3500
Roller diameter	1.9"	
Roller material	Galvanized carbon steel	
Drive		
Rated voltage	24 VDC	
Drive medium	3/16" O-ring	PolyVee belt
Torque transmission	Roller-to-roller	
Drive transfer		
Motor	24 V gear motor	
Max. electrical power	50 watts	
Power transmission transfer	Toothed belt T10	
Side frame		
6" (150mm) extrusion	6" (150mm) high, 2.6" (65mm) above top of roller	
3.15" (80mm) extrusion	Allows lateral shifting 3.15" (80mm) high, 0.16" (4mm) below top of roller	
Combination of frame heights left/right	6"/6" (150mm/150mm) 3.15"/6" (80mm/150mm)	



Dimensions

Width (BF)	12" to 40" in 2" increments (310mm to 1,010mm in 50mm increments)
Transfer width (BFT)	12" to 40" in 2" increments (310mm to 1,010mm in 50mm increments)
Module length (L)	Varies depending on application
Module width (TW)	BF + 4.33" (110mm)
Angle (α)	90°
Roller pitch (P)	3"/4" (75mm/100mm)
Length of diverter (LM)	Varies depending on application
Side frame (SF)	3.15"/6" (80mm/150mm)
Side guide (SG)	2.6" (65mm) with 6" frame Rollers .16" (5mm) higher than frame with 3.15" (80mm) frame

The Intelliveyor 90° Transfer is a 24V DC right angle transfer that can be used both for merging and diverting.

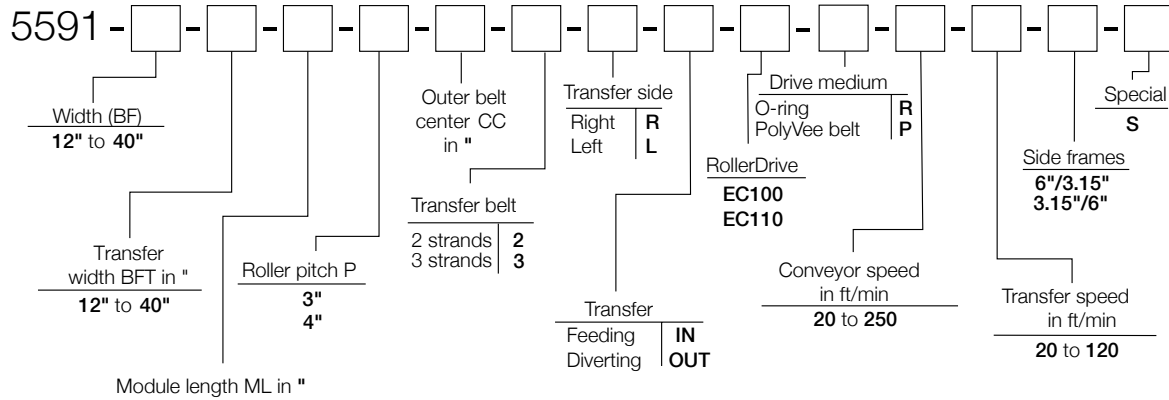


How to order

INDUSTRIAL MAGZA MEX (55) 53 63 23 31 MTY (81) 83 54 10 18
 DIST. AUTORIZADO QRO (442) 1 95 72 60 ventas@industrialmagza.com

Please create a reference number with the following configurator.

**Roller Conveyors
 Intelliveyor
 RM 5591
 Transfer**



If you require a non-standard version, add an "S" to the end and describe your requirements.

Example of a reference number: 5591-20-20-35-4-8-2-R-IN-EC110-R-120-120-6/6

This reference number describes the Interroll Intelliveyor Transfer RM 5591 with a width BF 20" (510mm), a transfer width BFT 20" (510mm), a module length ML 35" (900mm), a roller pitch P 4" (100mm), an outer belt center CC 8" (225mm), 2 transfer belt strands, transfer from the right as a merge, a RollerDrive EC110, a O-ring as the drive medium, a conveyor speed of 120 ft/min (0.6 m/s), transfer speed of 120 ft/min (0.6 m/s), and side frames with dimensions of 6"/6" (150mm/150mm).

Accessories

- Support legs
- End caps
- 24V power supply unit
- Interface card
- PLC connection cable
- Photo cell kit



MEX (55) 53 63 23 31 MTY (81) 83 54 10 18
QRO (442) 1 95 72 60 ventas@industrialmagza.com



INSPIRED BY
EFFICIENCY

Interroll is the most global provider of core products for material handling solutions. Headquartered in Sant'Antonino Switzerland, Interroll is present in more than 30 countries.

Additional sales contacts and addresses are available by visiting www.interroll.com

USA Manufacturing Center

Interroll Automation, LLC
5035 Keystone Boulevard
Jeffersonville, IN 47130
Toll free: 800-492-3251
us.automation@interroll.com

Interroll reserves the right to modify the technical characteristics of all its products at any time.

Technical information, dimensions, data and characteristics are provided for reference only.

All products designed and manufactured in the United States of America.