



INSPIRED BY  
EFFICIENCY

PRODUCT INFORMATION



# INTERROLL ROLLERS

FOR INDUSTRIAL & CONVEYOR APPLICATIONS

# 1100 SERIES ROLLER



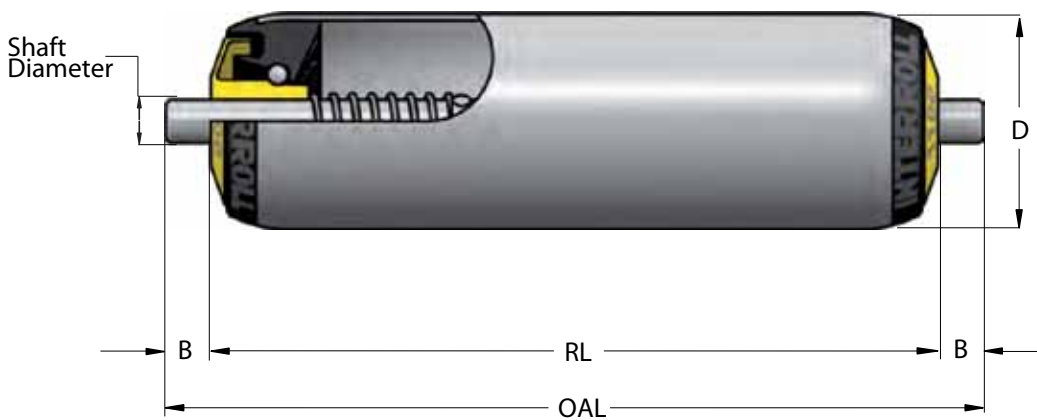
## Bearings

- Acetal or polypropylene bearing housing and raceway with stainless steel balls (type 302)
- Bearing housing has double labyrinth seals to prevent entry of contaminants
- Maximum recommended speed 15 FPM

## Applications

- Gravity conveyor
- Idler roller

## Dimensions



Typically  $BF = RL + 0.12"$

Tube Diameter (D)	Tube Material	Wall Thickness	Shaft Options													
			No shaft	0.192" round C/S or S/S spring loaded	0.192" round C/S or S/S threaded 10-32	1/4" round C/S or S/S or aluminum spring loaded	1/4" round C/S or S/S threaded 1/4-20	5/16" round C/S or S/S spring loaded	5/16" round C/S or S/S threaded 5/16-18	5/16" hex C/S or S/S spring loaded	3/8" hex C/S spring loaded	7/16" hex C/S or S/S spring loaded	7/16" hex C/S or S/S end drilled and tapped 1/4-20 x 5/8 deep			
0.62"	Polished S/S	.035"	●	●	●											
0.75"	Polished S/S	.035"	●			●	●									
	Anodized aluminum	.035"	●			●	●									
0.78"	Gray PVC	.060"	●			●	●									
1.12"	Anodized aluminum	.050"	●	●	●	●	●	●	●	●	●					
1.18"	Gray PVC	.070"	●	●	●	●	●	●	●	●	●					
1.9"	Mill finish aluminum	0.065"	●						●	●	●	●	●	●	●	●
	Galvanized C/S	0.065"	●						●	●	●	●	●	●	●	●
	Polished S/S	0.065"	●						●	●	●	●	●	●	●	●
	Gray PVC	0.11"	●						●	●	●	●	●	●	●	●

Notation: C/S = Carbon steel      RL = Roller length      BF = Between frames  
 S/S = Stainless steel      OAL = Overall length      B = Shaft Extension  
 ED&T = End drilled & tap



# 1200 SERIES ROLLER

## Bearings

- Commercial carbon steel balls and raceway with zinc plated housing
- Maximum recommended speed 160 FPM

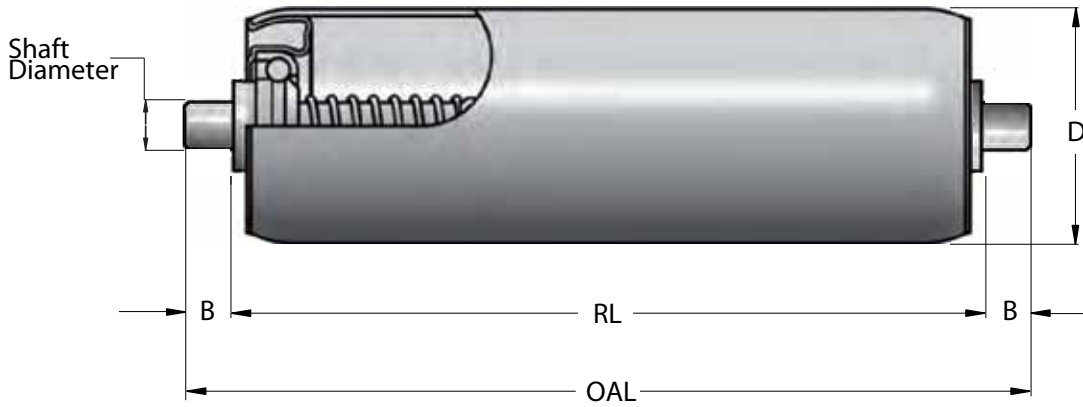
## Applications

- Gravity conveyor
- Low speed powered applications

## Optional Features

- PVC or polyurethane sleeving for 1.9" OD
- 1/8" deep O-ring grooves for 1.38" OD
- 3/16" deep O-ring grooves for C/S and S/S 1.9" OD
- Sprockets welded to C/S tube for 1.9" and 2.5" OD

## Dimensions



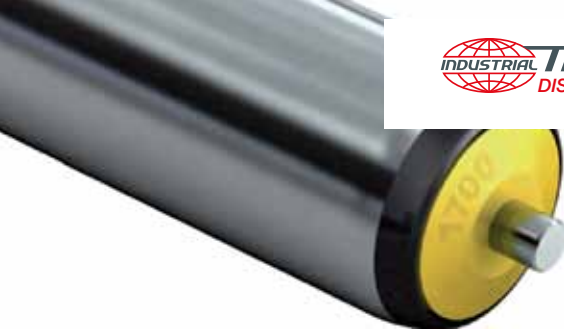
Typically  $BF = RL + 0.12"$

Shaft Options	B						
	N/A	.56"	.75"	.56"	.56"	.06"	.75"
No shaft							
1/4" round C/S or S/S spring loaded		●	●				
1/4" round C/S or S/S threaded 1/4-20		●	●	●			
5/16" hex C/S or S/S spring loaded				●			
7/16" hex C/S or S/S spring loaded					●	●	
7/16" hex C/S end drilled and tapped 5/16-18 x 5/8 deep (removable)							●
1 1/16" hex C/S spring loaded (optional dual spring loaded)							●

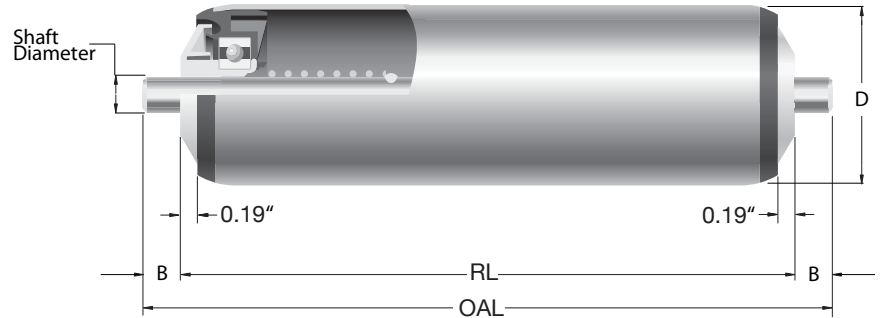
Tube Diameter (D)	Tube Material	Wall Thickness	No shaft	1/4" round C/S or S/S spring loaded	1/4" round C/S or S/S threaded 1/4-20	5/16" hex C/S or S/S spring loaded	7/16" hex C/S or S/S spring loaded	7/16" hex C/S end drilled and tapped 5/16-18 x 5/8 deep (removable)	1 1/16" hex C/S spring loaded (optional dual spring loaded)
0.75"	Anodized aluminum	.035"	●	●	●				
1"	Anodized aluminum	.049"	●	●	●	●			
	Galvanized C/S	.049"	●	●	●	●			
1.38"	Galvanized C/S	.049"	●	●	●	●			
1.9"	Mill finish aluminum	.065"	●				●	●	
	Galvanized C/S	.065"	●				●	●	
	Galvanized C/S	.109"	●				●	●	
2.5"	Mill finish C/S	.120"	●						●
	Galvanized C/S	.120"	●						●

Notation: C/S = Carbon steel      RL = Roller length      BF = Between frames  
 OAL = Overall length      B = Shaft Extension      ED&T = End drilled & tap

# 1700 SERIES ROLLER



## Dimensions



Typically  $BF = RL + 0.12"$

### Bearings

- Precision steel standard, optional stainless steel bearing
- Polymer bearing cartridge contains a labyrinth seal to protect against contaminants.
- Maximum recommended speed 400 FPM

### Applications

- Line shaft conveyor
- Belt driven live roller conveyor
- Motorized roller conveyor
- Roller bed conveyor

### Optional Features

- PVC or polyurethane sleeving for 1.9" OD
- 1/8" deep O-ring grooves for 1.38" OD
- 3/16" deep O-ring grooves for C/S and S/S 1.9" OD
- Polymer tapered sleeves for curve applications 1.9" OD
- One-way bearings for 1.9" OD
- Poly-Vee and Poly-O bearing housings for 1.9" OD
- Taper Hex shafts for 7/16" hex punched conveyor frames
- Metric sizes available

Tube Diameter (D)	Tube Material	Wall Thickness	Shaft Options													
			No shaft	B	.56"	.56"	.56"	.06"	.71"	.06"	.06"	1"	1"	.06"	.56"	.06"
1.38"	Galvanized C/S	.049"	●	●												
	Polished S/S	.049"	●	●												
1.9"	Gray PVC	.110"	●		●	●	●	●	●	●			●	●	●	●
	Polyethylene anti-litho	.110"	●		●	●	●	●	●	●			●	●	●	●
	Mill finish aluminum	.065"	●		●	●	●	●	●	●			●	●	●	●
	Mill finish C/S	.065"	●		●	●	●	●	●	●			●	●	●	●
	Galvanized C/S	.065"	●		●	●	●	●	●	●			●	●	●	●
	Polished S/S	.065"	●		●	●	●	●	●	●			●	●	●	●
	Galvanized C/S	.109"	●		●	●	●	●	●	●			●	●	●	●
	50mm	Galvanized C/S	1.5 mm	●		●	●	●	●	●	●			●	●	●
2.5"	Gray PVC	.125"	●		●	●	●	●	●	●			●	●	●	●
	Galvanized C/S	.083"	●		●	●	●	●	●	●			●	●	●	●
3.15"	Mill finish C/S	.083"	●		●	●	●	●	●	●			●	●	●	●
	Galvanized C/S	.083"	●		●	●	●	●	●	●			●	●	●	●
3.5"	Gray PVC	.280"	●		●	●	●	●	●	●			●	●	●	●

Notation: C/S = Carbon steel      RL = Roller length      BF = Between frames  
 S/S = Stainless steel      OAL = Overall length      B = Shaft Extension  
 ED&T = End drilled & tap



# 1800 SERIES ROLLER

## Bearings

- Precision bearing in a sintered metal bearing cartridge manufactured to tight tolerances for excellent concentricity and fit.
- An external metal dirt guard shield and polyester felt contact seal provide the bearing extra protection from contaminants
- Maximum recommended speed 400 FPM, for higher speeds consult Interroll

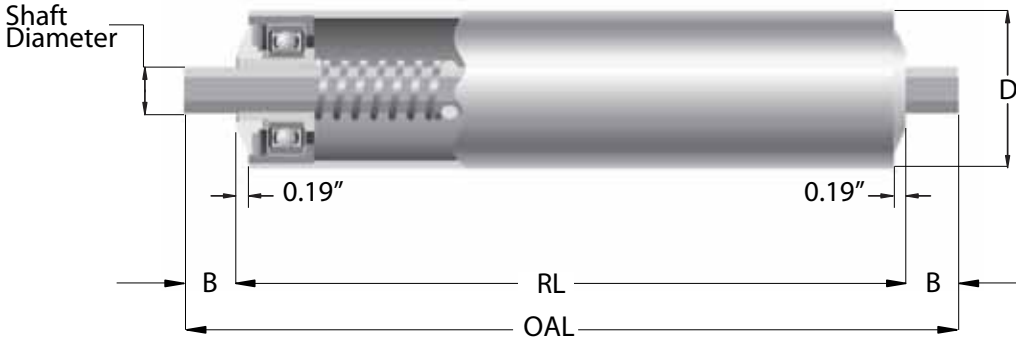
## Applications

- Belt conveyor take up and return rollers
- High speed packaging lines
- Heavy duty applications requiring high load capacity
- Treadmills
- Transfer machines

## Optional Features

- Crowned tube

## Dimensions



Typically  $BF = RL + 0.12"$

Tube Diameter (D)	Tube Material	Wall Thickness	Shaft Options								
			B	.56"	.06"	.06"	.75"	.06"	.06"	.06"	
2"	Mill finish C/S	.12"	●	●	●						
	Zinc plated C/S	.12"	●	●	●						
2.5"	Mill finish C/S	.12"				●	●	●	●	●	●
	Galvanized C/S	.12"				●	●	●	●	●	●
3"	Mill finish CS	.18"				●	●	●	●	●	●
3.5"	Mill finish C/S	.18"				●	●				●

Notation: C/S = Carbon steel    RL = Roller length    BF = Between frames  
 OAL = Overall length    B = Shaft Extension    ED&T = End drilled & tap

# 3900 SERIES ROLLER

## Bearings

- Precision bearing in a carbon steel heavy gauge stamped metal end housing that is welded to the tube. A triple labyrinth seal provides additional protection against contaminants.

## Applications

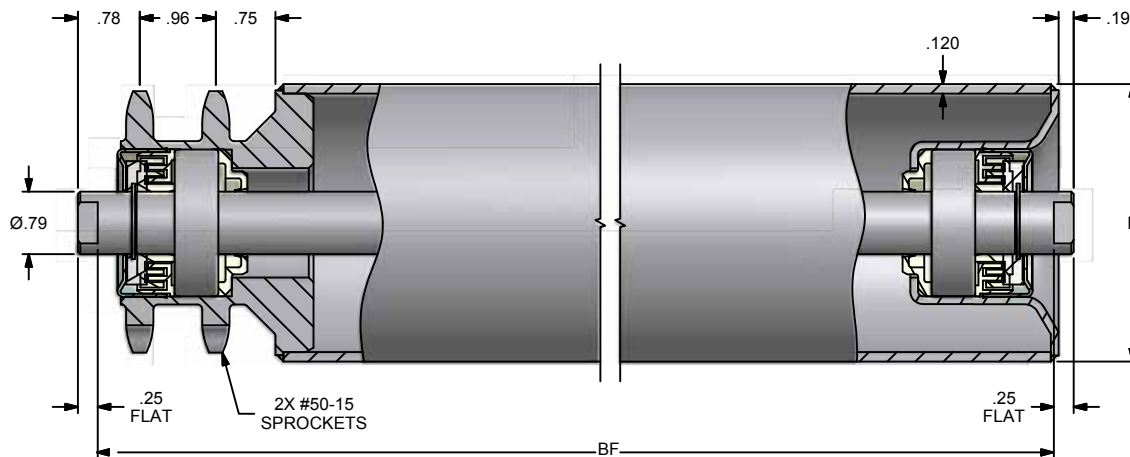
- Heavy duty palletizers
- Pallet conveyor
- Chain driven live roller conveyor
- Ideal for 3.5" and large roller diameters when the sprocket pitch needs to be below the surface of the tube

## Sprocket Options

- Two #40-18
- Two #50-15

Note: sprocket locations are only offered as shown below

## Dimensions



### Shaft Options

25/32" round C/S shaft with milled flats 0.59" x 0.39"  
 25/32" round C/S shaft end drilled & tapped 1/2-13 UNC x 0.75" deep on each end

Tube Diameter (D)	Tube Material	Wall Thickness		
2.5"	Mill finish C/S	.120"	●	●
3.5"	Mill finish C/S	.120"	●	●
4"	Mill finish C/S	.134"	●	●
5"	Mill finish C/S	.134"	●	●

Notation: C/S = Carbon steel      RL = Roller length  
 BF = Between frames



**Roller Application Data Sheet**

Date: \_\_\_\_\_

Company Name: \_\_\_\_\_ (Check one):  Enduser  Distributor  Integrator/OEM

Contact: \_\_\_\_\_

Phone: \_\_\_\_\_ Fax: \_\_\_\_\_

Email: \_\_\_\_\_

Address: \_\_\_\_\_

City: \_\_\_\_\_ State: \_\_\_\_\_ Zip: \_\_\_\_\_

**Brief Application Description:** (include speed, load, and operating conditions, i.e. wet, oily, washdown, cold, hot, etc.)

\_\_\_\_\_

Describe product being conveyed and number of rollers under product:

\_\_\_\_\_

Quantity required: \_\_\_\_\_

**Bearing Type**

Commercial grade carbon steel

Precision steel

Precision stainless steel

**Tube Material**

Diameter: \_\_\_\_\_

Carbon steel, galvanized  Stainless Steel

Carbon steel, mill finish

PVC

Aluminum

Other: \_\_\_\_\_

**Accessories**

Sleeving:

Soft PVC (.08" thick), over 1.9" OD tube, gray

Polyurethane (.12" thick), over 1.9" or 2.5" OD tube, orange

Tapered segments over 1.9" OD tube for curves, black

Sprockets  Plastic  Steel

Number of sprockets: \_\_\_\_\_

Chain number: \_\_\_\_\_

Number of teeth: \_\_\_\_\_

Contact factory for assistance selecting sprockets.

**Shaft Material**

Carbon steel, mill finish

Carbon steel, zinc plated

Stainless steel

Aluminum

Other: \_\_\_\_\_

**Shaft Size & Shape**

.192" round  12mm round

1/4" round  1/2" round

5/16" round  11/16" hex

5/16" hex  17mm round

3/8" hex  20mm round

7/16" hex  25/32" round

**Shaft Configuration**

Fixed  Spring-loaded

Male threaded  End drilled & tapped

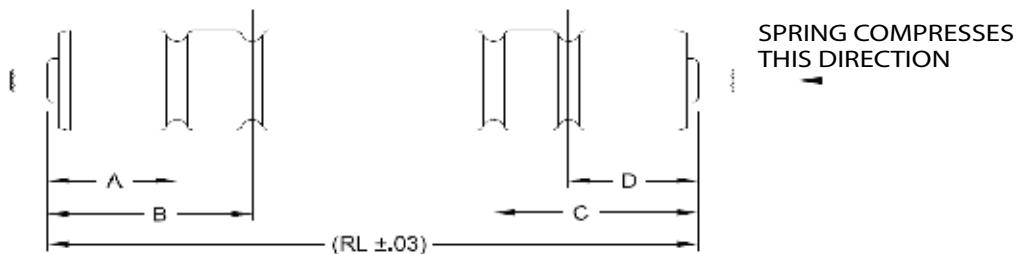
No shaft  Taperhex Gold

Loose  Taperhex Black

Other: \_\_\_\_\_

Shaft extensions: L: \_\_\_\_\_ R: \_\_\_\_\_

**Roller Length & Groove Locations**



A = \_\_\_\_\_ B = \_\_\_\_\_ C = \_\_\_\_\_ D = \_\_\_\_\_ RL = \_\_\_\_\_

Contact factory for minimum A & B dimensions and for minimum distance between grooves



Interroll is the most global provider of core products for material handling solutions. Headquartered in Sant'Antonino Switzerland, Interroll is present in more than 30 countries.

Additional sales contacts and addresses are available by visiting [www.interroll.com](http://www.interroll.com)

### **USA Manufacturing Center**

Interroll Corporation  
3000 Corporate Drive  
Wilmington, NC 28405  
Telephone: 910-799-1100  
[us.sales@interroll.com](mailto:us.sales@interroll.com)

Interroll reserves the right to modify the technical characteristics of all its products at any time.

Technical information, dimensions, data and characteristics are provided for reference only.

All products designed and manufactured in the United States of America.