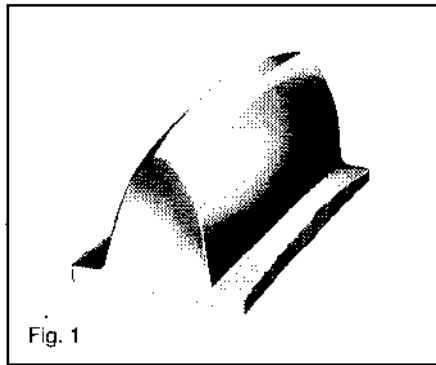


Gear Coupling Selection Guide

Amerigear® Design Advantages

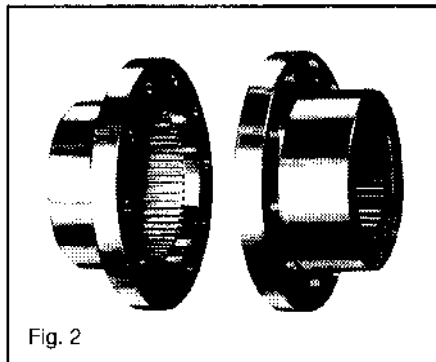
Amerigear Fully-Crowned Teeth (Fig. 1)

Crowned Flanks, Crowned Tips, Crowned Chamfers – recognized as the ultimate in gear tooth design and the secret of superior mechanical power transmission! Increased tooth contact area improves the load-carrying capacity of the teeth regardless of operating conditions and provides “ball-and-socket” piloting action at all misalignments. As a result, connected equipment is able to operate at higher torques, speeds, and misalignments with resultant longer life.



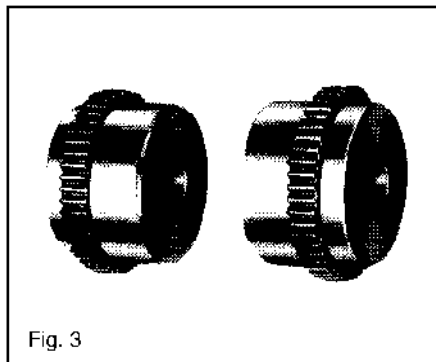
Rigid, strong, “floating” sleeve (Fig. 2)

A floating sleeve, containing internally-cut gear teeth at opposite ends, is made from medium carbon steel. In effect, it provides a “bridge” between driving and driven gear meshes. It can be furnished as a continuous, one-piece sleeve . . . or made in two halves and bolted together.



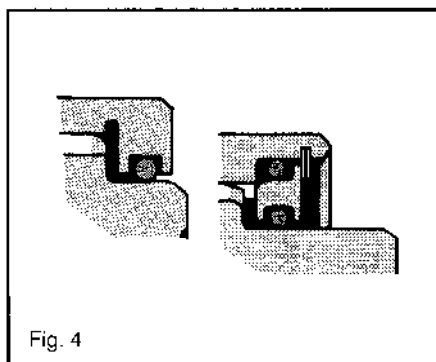
Precision-machined identical hubs (Fig. 3)

(Fig. 3) Two identical hubs, machined to close tolerances, contain external Fully-Crowned Gear Teeth which totally engage internal teeth of the sleeve. Uniqueness of Fully-Crowned Teeth enables coupling to operate longer, with minimum backlash, and assurance of free axial movement of connected shafts.



Positive dust-tight seals (Fig. 4)

O-ring seals keep contamination out . . . vital lubricant in. Designed to accommodate temperatures up to 250°F. For temperatures of 400°F continuous and 550°F for short periods, Viton O-ring seals are available. These are easily installed without removing coupling hub and sleeve from shafting.



Gear Coupling Selection Guide

| AMERIDRIVES AMERIGEAR | | | KOPFLEX | | | | | | | | | FALK | | | | | | SYSTEMS COMPONENTS | | | | | | SHROUDED BOLT PATTERN | | EXPOSED BOLT PATTERN | | FLANGE DIAMETER | | | | | |
|-----------------------|------|---------|-------------|------|---------|-----------------|-------|---------|----------------|------|---------|---------------|-------|---------|--------------------|------|---------|-----------------------------|-------|---------|---------------------------|------|---------|-----------------------|---------|----------------------|---------|-----------------|---------|-------|---------|-----|---------|
| 200 SERIES ± 1 1/2' | | | FAST ± 1/2' | | | SERIES H ± 3/4' | | | WALDRON ± 1/2' | | | 1000 G ± 1/8' | | | LIFELIGN GF ± 1/8' | | | POWERTORK F (O RING) ± 3/4' | | | POWERTORK SR (METAL SEAL) | | | D9C | #- SIZE | D9C | #- SIZE | | | | | | |
| SIZE | BORE | TORQUE* | SIZE | BORE | TORQUE* | SIZE | BORE | TORQUE* | SIZE | BORE | TORQUE* | SIZE | BORE | TORQUE* | SIZE | BORE | TORQUE* | SIZE | BORE | TORQUE* | SIZE | BORE | TORQUE* | SIZE | BORE | TORQUE* | SIZE | BORE | TORQUE* | D9C | #- SIZE | D9C | #- SIZE |
| 200 | .81 | 1.9 | - | - | - | - | - | - | - | - | - | - | - | - | - | - | - | - | - | - | - | - | - | - | - | - | - | - | - | - | - | - | 2.94 |
| 201 | 1.25 | 3.2 | - | - | - | - | - | - | - | - | - | - | - | - | - | - | - | - | - | - | - | - | - | - | - | - | - | - | - | - | - | - | 3.56 |
| 201.25 | 1.63 | 7.6 | 1 | - | - | 1 H | 1.63 | 7.56 | 1 W | 1.63 | 6.3 | 1010 G | 1.88 | 7.6 | 1 GF | 1.62 | 7.6 | 1 | 1.63 | 9.8 | - | - | - | - | - | - | - | - | - | - | - | - | 4.00 |
| 201.5 | 2.25 | 17.0 | 1 1/2 | 1.63 | 17.0 | 1 1/2 H | 2.25 | 17.0 | 1 1/2 W | 2.19 | 15.1 | 1015 G | 2.38 | 17.0 | 1 1/2 GF | 2.12 | 18.9 | 1 1/2 | 2.19 | 19.5 | 1 1/2 | 1.63 | 25.2 | 4.81 | 8-3/8 | 4.81 | 8-3/8 | 4.81 | 8-3/8 | 6.00 | 6.00 | | |
| 202 | 2.75 | 31.5 | 2 | 2.13 | 31.5 | 2 H | 2.75 | 31.5 | 2 W | 2.75 | 31.5 | 1020 G | 2.88 | 31.5 | 2 GF | 2.75 | 31.5 | 2 | 2.75 | 32.1 | 2 | 2.13 | 47.3 | 5.81 | 10-3/8 | 5.88 | 6-1/2 | 7.00 | 7.00 | 7.00 | 7.00 | | |
| 202.5 | 3.50 | 53.6 | 2 1/2 | 2.75 | 56.7 | 2 1/2 H | 3.50 | 56.7 | 2 1/2 W | 3.25 | 56.7 | 1025 G | 3.62 | 56.7 | 2 1/2 GF | 3.25 | 56.7 | 2 1/2 | 3.50 | 56.7 | 2 1/2 | 2.75 | 85.0 | 7.00 | 10-1/2 | 7.12 | 6-5/8 | 8.38 | 8.38 | 8.38 | | | |
| 203 | 4.00 | 94.5 | 3 | 3.13 | 100.8 | 3 H | 4.00 | 100.8 | 3 W | 4.00 | 94.5 | 1030 G | 4.12 | 94.5 | 3 GF | 4.00 | 101.0 | 3 | 4.00 | 96.0 | 3 | 3.13 | 151.0 | 8.00 | 12-1/2 | 8.12 | 8-5/8 | 9.44 | 9.44 | 9.44 | | | |
| 203.5 | 4.50 | 142.0 | 3 1/2 | 3.75 | 148.0 | 3 1/2 H | 4.50 | 148.0 | 3 1/2 W | 4.75 | 144.9 | 1035 G | 4.88 | 144.9 | 3 1/2 GF | 4.50 | 151.3 | 3 1/2 | 4.63 | 151.0 | 3 1/2 | 3.75 | 221.0 | 9.28 | 12-5/8 | 9.50 | 8-3/4 | 11.00 | 11.00 | 11.00 | | | |
| 204 | 5.50 | 214.0 | 4 | 4.25 | 236.2 | 4 H | 5.50 | 236.2 | 4 W | 5.38 | 220.5 | 1040 G | 5.75 | 220.5 | 4 GF | 5.38 | 236.0 | 4 | 5.50 | 240.0 | 4 | 4.25 | 353.0 | 10.62 | 14-5/8 | 11.00 | 8-3/4 | 12.50 | 12.50 | 12.50 | | | |
| 204.5 | 6.25 | 324.0 | 4 1/2 | 4.75 | 318.1 | 4 1/2 H | 6.00 | 318.1 | 4 1/2 W | 6.00 | 302.4 | 1045 G | 6.75 | 302.4 | 4 1/2 GF | 6.00 | 324.0 | 4 1/2 | 6.00 | 315.0 | 4 1/2 | 4.75 | 473.0 | 11.75 | 14-5/8 | 12.00 | 10-3/4 | 13.62 | 13.62 | 13.62 | | | |
| 205 | 6.63 | 416.0 | 5 | 5.50 | 441.0 | 5 H | 6.88 | 441.0 | 5 W | 6.75 | 409.5 | 1050 G | 7.38 | 409.5 | 5 GF | 6.50 | 441.0 | 5 | 6.88 | 447.0 | 5 | 5.50 | 662.0 | 13.19 | 14-3/4 | 13.50 | 8-7/8 | 15.31 | 15.31 | 15.31 | | | |
| 205.5 | 7.50 | 561.0 | 5 1/2 | 5.88 | 579.6 | 5 1/2 H | 7.75 | 579.6 | 5 1/2 W | 7.50 | 535.5 | 1055 G | 8.25 | 535.5 | 5 1/2 GF | 7.75 | 580.0 | 5 1/2 | 7.75 | 583.0 | 5 1/2 | 5.88 | 870.0 | 14.44 | 16-3/4 | 14.50 | 14-7/8 | 16.56 | 16.56 | 16.56 | | | |
| 206 | 8.25 | 750.0 | 6 | 6.50 | 759.1 | 6 H | 8.63 | 759.1 | 6 W | 8.25 | 693.0 | 1060 G | 9.12 | 693.0 | 6 GF | 8.75 | 759.0 | 6 | 8.75 | 756.0 | 6 | 6.50 | 1134.0 | - | - | 15.75 | 14-7/8 | 18.00 | 18.00 | 18.00 | | | |
| 207 | 9.63 | 1033.0 | 7 | 8.00 | 1159.2 | 7 H | 10.38 | 1159.2 | 7 W | 9.25 | 1006.0 | 1070 G | 10.88 | 1006.0 | 7 GF | 9.75 | 1116.0 | 7 | 10.38 | 1166.0 | 7 | 8.00 | 1739.0 | - | - | 18.25 | 16-1 | 20.75 | 20.75 | 20.75 | | | |

*ALL TORQUE RATINGS X(10)³ IN. LB.

| AMERIDRIVES AMERIGEAR | | | ZURN AMERIGEAR | | | RENOLD/AJAX | | | | | | DECK/POOLE | | | | | | SIER-BATH | | | FALK | | | WALDRON | | | FLANGE DIAMETER | | | | | | |
|-----------------------|------|---------|---------------------|------|---------|----------------------|------|---------|---------------------|------|---------|------------|------|---------|-------------------|------|---------|-------------------|------|---------|----------|-------|---------|-----------------|------|---------|-----------------|-------|---------|-------|-------|---------|------|
| 200 SERIES ± 1 1/2' | | | 100 SERIES ± 1 1/2' | | | O RING SEAL ± 1 1/2' | | | METAL SEAL ± 1 1/2' | | | MXB ± 1/2' | | | 100 SERIES ± 1/2' | | | SERIES F ± 1 1/2' | | | SERIES G | | | SERIES A ± 1/2' | | | | | | | | | |
| SIZE | BORE | TORQUE* | SIZE | BORE | TORQUE* | SIZE | BORE | TORQUE* | SIZE | BORE | TORQUE* | SIZE | BORE | TORQUE* | SIZE | BORE | TORQUE* | SIZE | BORE | TORQUE* | SIZE | BORE | TORQUE* | SIZE | BORE | TORQUE* | SIZE | BORE | TORQUE* | SIZE | BORE | TORQUE* | |
| 200 | .81 | 1.9 | 100 | .812 | 1.9 | - | - | - | - | - | - | - | - | - | - | - | - | - | - | - | - | - | - | - | - | - | - | - | - | - | - | - | 2.94 |
| 201 | 1.25 | 3.2 | 101 | 1.25 | 3.2 | - | - | - | - | - | - | - | - | - | - | - | - | - | - | - | - | - | - | - | - | - | - | - | - | - | - | - | 3.56 |
| 201.25 | 1.63 | 7.6 | 101 1/4 | 1.62 | 7.6 | 108 | 1.63 | 8.0 | - | - | - | 1 | 1.63 | 6.3 | - | - | - | F 1 | 1.63 | 4.8 | 10 G | 1.88 | 5.0 | 1 1/4 A | 1.38 | 3.78 | 4.00 | 4.00 | 4.00 | 4.00 | 4.00 | 4.00 | |
| 201.5 | 2.25 | 17.0 | 101 1/2 | 2.00 | 18.9 | 158 | 2.13 | 20.0 | 156 | 1.75 | 20.0 | 1 1/2 | 2.19 | 15.12 | 150 | 1.50 | 9.9 | F 1 1/2 | 2.13 | 8.9 | 15 G | 2.38 | 15.1 | 1 1/2 A | - | - | 6.00 | 6.00 | 6.00 | 6.00 | 6.00 | 6.00 | |
| 202 | 2.75 | 31.5 | 102 | 2.62 | 31.5 | 208 | 2.75 | 35.0 | 206 | 2.25 | 35.0 | 2 | 2.75 | 31.5 | 200 | 2.00 | 23.6 | F 2 | 2.75 | 23.9 | 20 G | 2.88 | 31.5 | 2 A | 2.12 | 13.2 | 7.00 | 7.00 | 7.00 | 7.00 | 7.00 | | |
| 202.5 | 3.50 | 53.6 | 102 1/2 | 3.12 | 53.6 | 258 | 3.25 | 60.0 | 256 | 2.75 | 60.0 | 2 1/2 | 3.25 | 56.7 | 250 | 2.50 | 44.7 | F 2 1/2 | 3.25 | 34.5 | 25 G | 3.63 | 56.7 | 2 1/2 A | 2.62 | 28.3 | 8.38 | 8.38 | 8.38 | 8.38 | 8.38 | | |
| 203 | 4.00 | 94.5 | 103 | 3.75 | 94.5 | 308 | 4.00 | 100.0 | 306 | 3.25 | 100.0 | 3 | 4.00 | 94.5 | 300 | 3.00 | 73.7 | F 3 | 4.00 | 55.7 | 30 G | 4.13 | 94.5 | 3 A | 3.19 | 54.8 | 9.44 | 9.44 | 9.44 | 9.44 | 9.44 | | |
| 203.5 | 4.50 | 142.0 | 103 1/2 | 4.38 | 126 | 356 | 4.50 | 150.0 | 356 | 3.75 | 150.0 | 3 1/2 | 4.75 | 144.9 | 350 | 3.50 | 118.4 | F 3 1/2 | 4.63 | 86.6 | 35 G | 4.88 | 126.0 | 3 1/2 A | 3.75 | 94.5 | 11.00 | 11.00 | 11.00 | 11.00 | 11.00 | | |
| 204 | 5.50 | 214.0 | 104 | 5.00 | 189 | 406 | 5.38 | 270.0 | 406 | 4.25 | 270.0 | 4 | 5.38 | 220.5 | 400 | 4.00 | 159.4 | F 4 | 5.38 | 123.9 | 40 G | 5.75 | 189.0 | 4 A | 4.25 | 141.6 | 12.50 | 12.50 | 12.50 | 12.50 | 12.50 | | |
| 204.5 | 6.25 | 324.0 | 104 1/2 | 5.38 | 252 | 458 | 6.00 | 370.0 | 456 | 4.75 | 370.0 | 4 1/2 | 6.00 | 302.4 | 450 | 4.50 | 238.1 | F 4 1/2 | 6.00 | 198.2 | 45 G | 6.50 | 267.7 | 4 1/2 A | 4.75 | 230.0 | 13.62 | 13.62 | 13.62 | 13.62 | 13.62 | | |
| 205 | 6.63 | 416.0 | 105 | 6.00 | 347 | 508 | 6.63 | 500.0 | 506 | 5.50 | 500.0 | 5 | 6.75 | 409.5 | 500 | 5.00 | 292.3 | 5 | 6.50 | 337.8 | 50 G | 7.00 | 368.5 | 5 A | 5.50 | 330.7 | 15.31 | 15.31 | 15.31 | 15.31 | 15.31 | | |
| 205.5 | 7.50 | 561.0 | 105 1/2 | 6.50 | 472 | 558 | 7.50 | 650.0 | 556 | 6.25 | 650.0 | 5 1/2 | 7.50 | 535.5 | 550 | 6.25 | 439.7 | F 5 1/2 | 7.38 | 389.5 | 55 G | 7.75 | 491.4 | 5 1/2 A | 6.00 | 451.7 | 16.56 | 16.56 | 16.56 | 16.56 | 16.56 | | |
| 206 | 8.25 | 750.0 | 106 | 7.38 | 630 | 608 | 8.13 | 750.0 | 606 | 7.00 | 750.0 | 6 | 8.25 | 693.0 | 600 | 7.31 | 674.1 | F 6 | 8.00 | 554.5 | 60 G | 8.75 | 630.0 | 6 A | 6.62 | 606.0 | 18.00 | 18.00 | 18.00 | 18.00 | 18.00 | | |
| 207 | 9.63 | 1033.0 | 107 | 8.75 | 882 | 708 | 9.63 | 925.0 | 706 | 8.25 | 925.0 | 7 | 9.25 | 1006.0 | 700 | 8.38 | 1055.3 | F 7 | 9.00 | 900.0 | 70 G | 10.00 | 1008.0 | 7 A | 7.50 | 716.3 | 20.75 | 20.75 | 20.75 | 20.75 | 20.75 | | |

*ALL TORQUE RATINGS X(10)³ IN. LBS.



MEX (55) 53 63 23 31 MTY (81) 83 54 10 18
 QRO (442) 1 95 72 60 ventas@industrialmagza.com