

MAVILOR MOTORS, S.A.

Poligono Industrial URVASA  
C/. Empordà, 11-13  
08130 Sta. Perpètua de Mogoda  
(Barcelona) - SPAIN  
Tel. +34 935 743 690  
Fax. +34 935 743 570  
E-mail: mavior @ mavior.es  
<http://www.mavior.es>



January 20th, 2006



**DISTRIBUIDOR AUTORIZADO** MEX (55) 53 63 23 31 MTY (81) 83 54 10 18  
QRO (442) 1 95 72 60 [ventas@industrialmagza.com](mailto:ventas@industrialmagza.com)

Argentina+54 1142225040	Israel +972 36470471
Australia +61 733974575	Italy +39 266200980
Austria +43 225271110	Japan +81 3 5298 2700
Brazil +55 1150941122	Korea +82 27852262
Chile +56 2450 4200	Malaysia +60 52538555
China/Beijing +86 10 8202 5588	Mexico +52 5553632331
China/Shanghai +86 21 5435 4316	Norway +47 22335301
China/Guangzhou +86 20 8759 1568	Poland + 48 713390029
China/Hangzhou +86 57181951299	Russia +7 095 9135161
Czech Republic +420 261123187	South Africa +27 114681881
Denmark+45 43718088	Spain +34 934601631
France +33169633515	Sweden +46 21 24860
Germany +49 6181180120	Switzerland +41 22 960 70 70
Greece +30 3105566239	Taiwan +886 229145767
Holland +31 186 610 155	Turkey +90 216 641 6884
Hungary +36 1265 0677	United Kingdom +44 1522699500
India +91 222 2872211	United States +1 2037298258
Iran +98 2166711433	

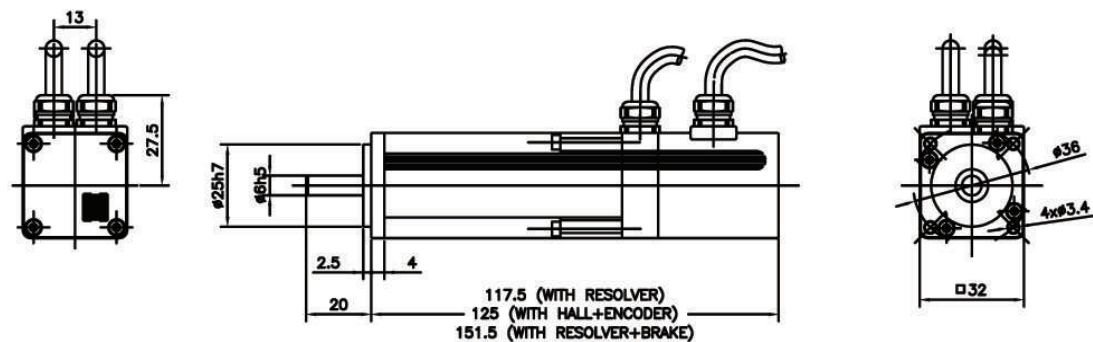
**BLS / BLT 48VDC.**



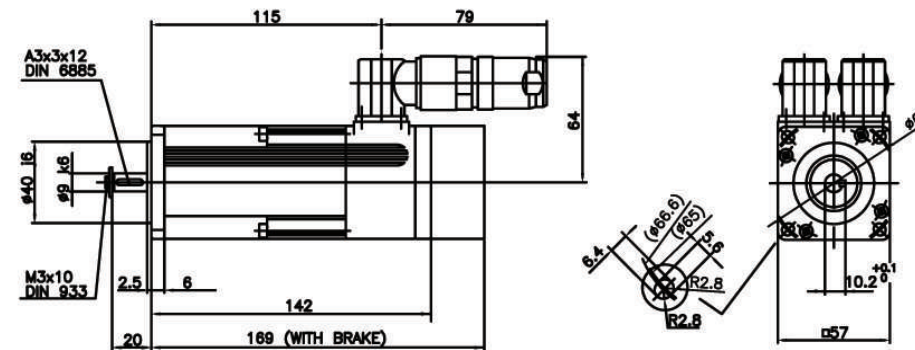
DISTRIBUIDOR  
AUTORIZADO

MEX (55) 53 63 23 31  
QRO (442) 1 95 72 60

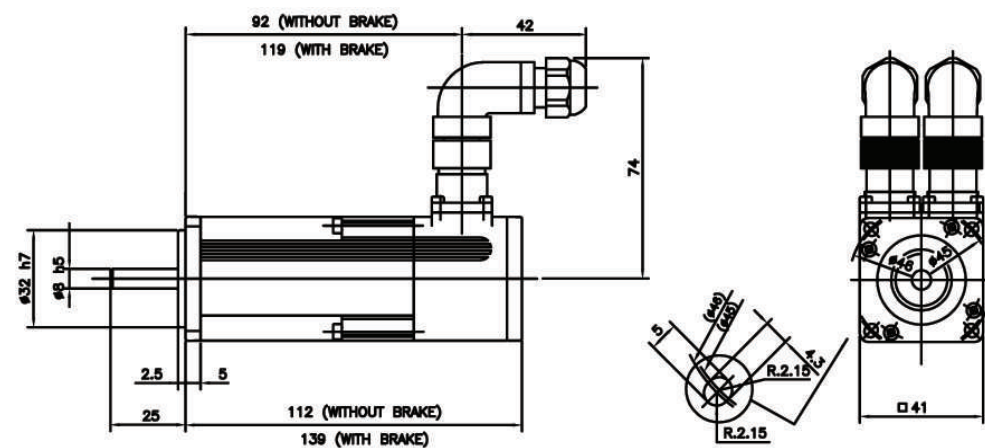
MTY (81) 83 54 10 18  
ventas@industrialmagza.com



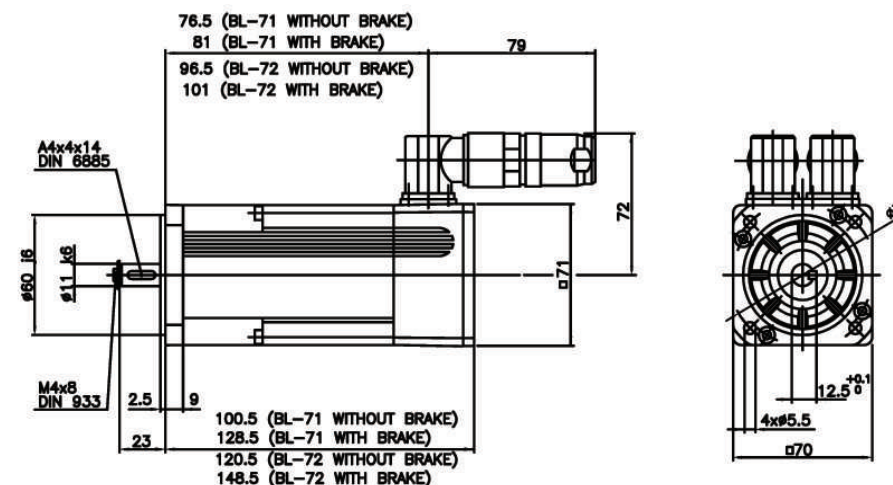
BL - 30



BL - 55



BL - 40

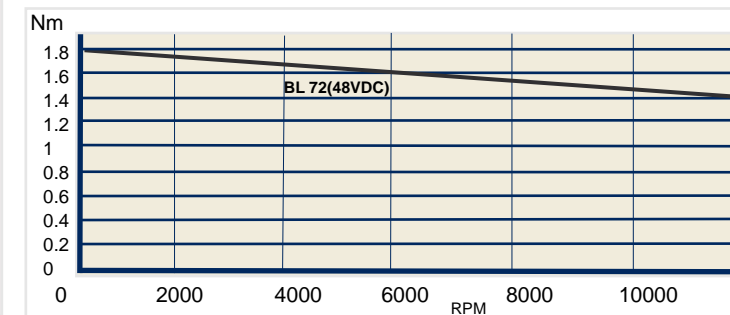
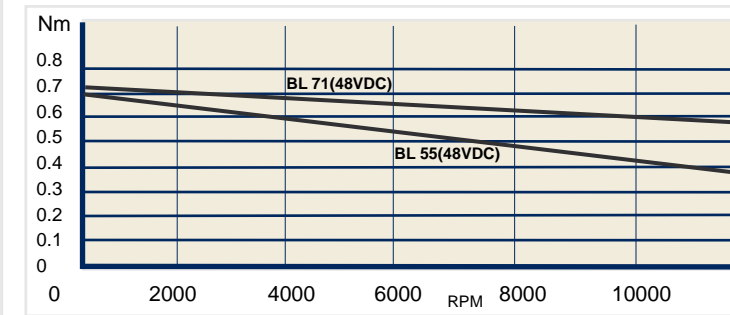
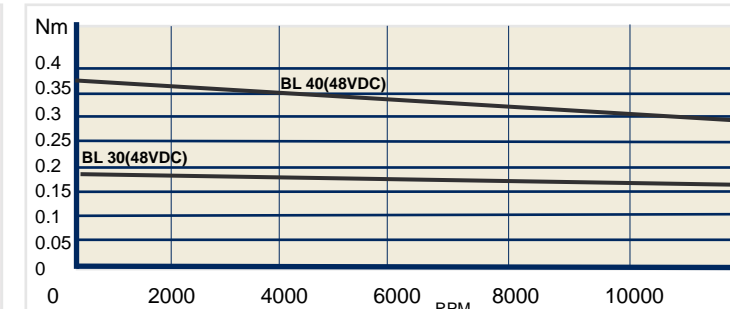


BL - 70

CHARACTERISTICS SYMBOL UNITS

CHARACTERISTICS	SYMBOL	UNITS
NOMINAL SPEED	n	r.p.m
STALL TORQUE (+/-10%)	Ms	Nm
STALL CURRENT (+/-10%) (*)	Is	A
PEAK TORQUE (+/-10%)	Mj	Nm
TORQUE-WEIGHT RATIO	Tw	Nm/kg
EMF CONSTANT (+/-5%) (*)	Ke	Vs/rad
TORQUE CONSTANT (+/-5%) (*)	Kt	Nm/A
RELUCTANCE TORQUE (**)	Tr	Nm
WINDING RESISTANCE (+/-5%)	R(ph-ph)	Ω
WINDING INDUCTANCE (+/-5%)	L(ph-ph)	mH
ROTOR INERTIA	J	kgm <sup>2</sup> 10 <sup>-3</sup>
MECHANICAL TIME CONSTANT	Tm	ms
ELECTRICAL TIME CONSTANT	Te	ms
THERMAL TIME CONSTANT	Tth	s
THERMAL RESISTANCE	Rth	°C/W
MASS	M	kg
RADIAL LOAD	Fr	N
AXIAL LOAD	Fa	N
INSULATION		class-F
PROTECTION		IP-65
ALUMINIUM HEAT SINK PLATE		150x150x10

BLS					BLT				
BLS-30	BLS-40	BLS-55	BLS-71	BLS-72	BLT-30	BLT-40	BLT-55	BLT-71	BLT-72
3000	3000	3000	3000	3000	3000	3000	3000	3000	3000
0.18	0.36	0.70	0.74	1.80	0.18	0.36	0.70	0.74	1.80
2.09	3.67	7.14	5.37	11.35	2.56	4.50	8.75	6.58	13.8
0.72	1.44	2.80	2.96	7.20	0.72	1.44	2.800	2.96	7.20
0.45	0.60	0.48	0.49	0.95	0.45	0.60	0.48	0.49	0.95
0.05	0.06	0.06	0.08	0.092	0.07	0.08	0.08	0.11	0.13
0.09	0.10	0.10	0.14	0.16	0.07	0.08	0.08	0.11	0.13
<9%	<6%	<4%	<3.5%	<3.5%	<9%	<6%	<4%	<3.5%	<3.5%
5.51	2.69	0.54	1.63	0.55	5.51	2.69	0.54	1.63	0.55
1.86	1.44	0.73	1.19	0.58	1.86	1.44	0.73	1.19	0.58
0.0023	0.0024	0.017	0.026	0.05	0.0023	0.0024	0.017	0.026	0.05
2.97	1.16	1.66	3.86	1.91	2.57	1.01	1.43	3.34	1.63
0.34	0.53	1.36	0.73	1.04	0.34	0.53	1.36	0.73	1.04
900	1190	1120	1100	1280	900	1190	1120	1100	1280
2.19	1.53	2.03	1.20	0.80	2.19	1.53	2.03	1.20	0.80
0.40	0.60	1.37	1.50	1.90	0.40	0.60	1.37	1.50	1.90
75	150	250	216	245	75	150	250	216	245
40	80	100	98	98	40	80	100	98	98
class-F	class-F	class-F	class-F	class-F	class-F	class-F	class-F	class-F	class-F
IP-65	IP-65	IP-65	IP-65	IP-65	IP-65	IP65	IP-65	IP-65	IP-65
150x150x10	300x300x10	300x300x10	300x300x10	300x300x10	150x150x10	300x300x10	300x300x10	300x300x10	300x300x10



All characteristics at 25°C ambient temperature (\*) BLS values rms, BLT values 0-pk (\*\*) Respect to the Stall Torque